

2W(大口径)系列二位三通直动式电磁阀

2W(Large Aperture) Series Two-position Two-way Direct Drive Type Solenoid Valve

【特点】 Feature

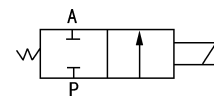
- 采用直动式膜片结构无压力启动，扩充了其使用领域。
- 采用平板式膜片结构启闭可靠，并增强了该产品的使用寿命。
- 选用塑封线圈可提高该产品在众多环境下的安全使用。
- Adopting straight-action diaphragm structure without pressure starting enlarges its applicable scopes.
- Adopting plate diaphragm structure with reliable start and close lengthens the service life of the product.
- Selecting plastic sealed coil improves the safe application of this product under many environments.



【订购码】 Ordering Code

2W	160	- 15	- AC110V	- V
规格代码 Specification Code	流量孔径 Aperture of Flow Rate	接管口径 Joint Pipe Bore	标准电压 Standard Voltage	油封代号 Oil Seal Code
2W: 二位三通电磁阀 —直动式	160: 16mm	10: 3/8" 15: 1/2"	DC12V DC24V	空白: NBR V: VITON (高温用)
2W: Two-position Two-way Solenoid Valve-Direct Drive Type	200: 20mm 250: 25mm 350: 35mm 400: 40mm 500: 50mm	20: 3/4" 25: 1" 35: 1 1/4" 40: 1 1/2" 50: 2"	AC24V 50Hz/60Hz AC110V 50Hz/60Hz AC220V 50Hz/60Hz AC380V 50Hz/60Hz	Blank: NBR V: VITON (For High-temperature)

【图形符号】 Graphic Symbol



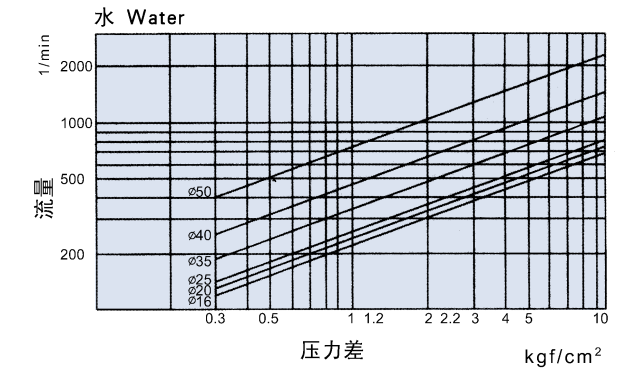
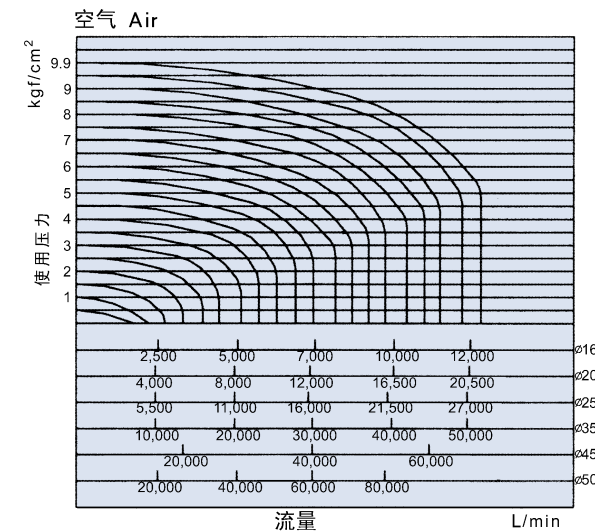
【规格】 Specification

型号 Model	2W160-10	2W160-15	2W200-20	2W250-25	2W350-35	2W400-40	2W500-50
工作介质 Working Medium	空气、水、油 / Air, Water, Oil						
动作方式 Motion Pattern	直动式 / Direct Drive Type						
型式 Type	常闭式 / Normal Close Type						
流量孔径 Aperture of Flow Rate mm	16	20	25	35	40	50	
CV 值 CV Value	4.8	7.6	12	24	29	48	
接管口径 Joint Pipe Bore	3/8"	1/2"	3/4"	1"	1 1/4"	1 1/2"	2"
使用流体粘滞度 Operation Fluid Viscosity	20 CST以下 (Below)						
使用压力 Working-pressure	空气/Air: 0~1.0Mpa; 水/Water: 0~0.7Mpa; 油/Oil: 0~0.7Mpa						
最大耐压力 Max. Pressure Resistance	1.0Mpa						
工作温度 Operating Temperature	-5~80℃						
使用电压范围 Voltage Range	±10%						
本体材质 Material of Body	黄铜 Brass						
油封材质 Material of Oil Seal	NBR 或 VITON / NBR or VITON						

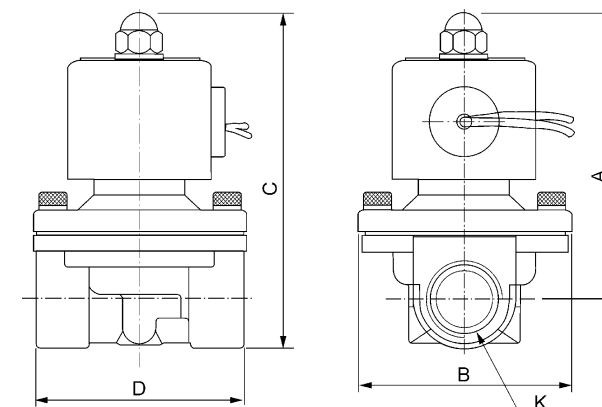
2W(大口径)系列二位三通直动式电磁阀

2W(Large Aperture) Series Two-position Two-way Direct Drive Type Solenoid Valve

【流量图】 Flow Chart



【外形图】 Overall Chart



【尺寸表】 Dimension Sheet

型号 Model	A	B	C	D	K
2W160-10	93	56	106	69	PT3/8"
2W160-15	93	56	106	69	PT1/2"
2W200-20	100	55	117	73	PT3/4"
2W250-25	104	78	125	99	PT1"
2W350-35	141	93	172	124	PT1 1/4"
2W400-40	141	93	172	124	PT1 1/2"
2W500-50	157	124	195	172	PT2"